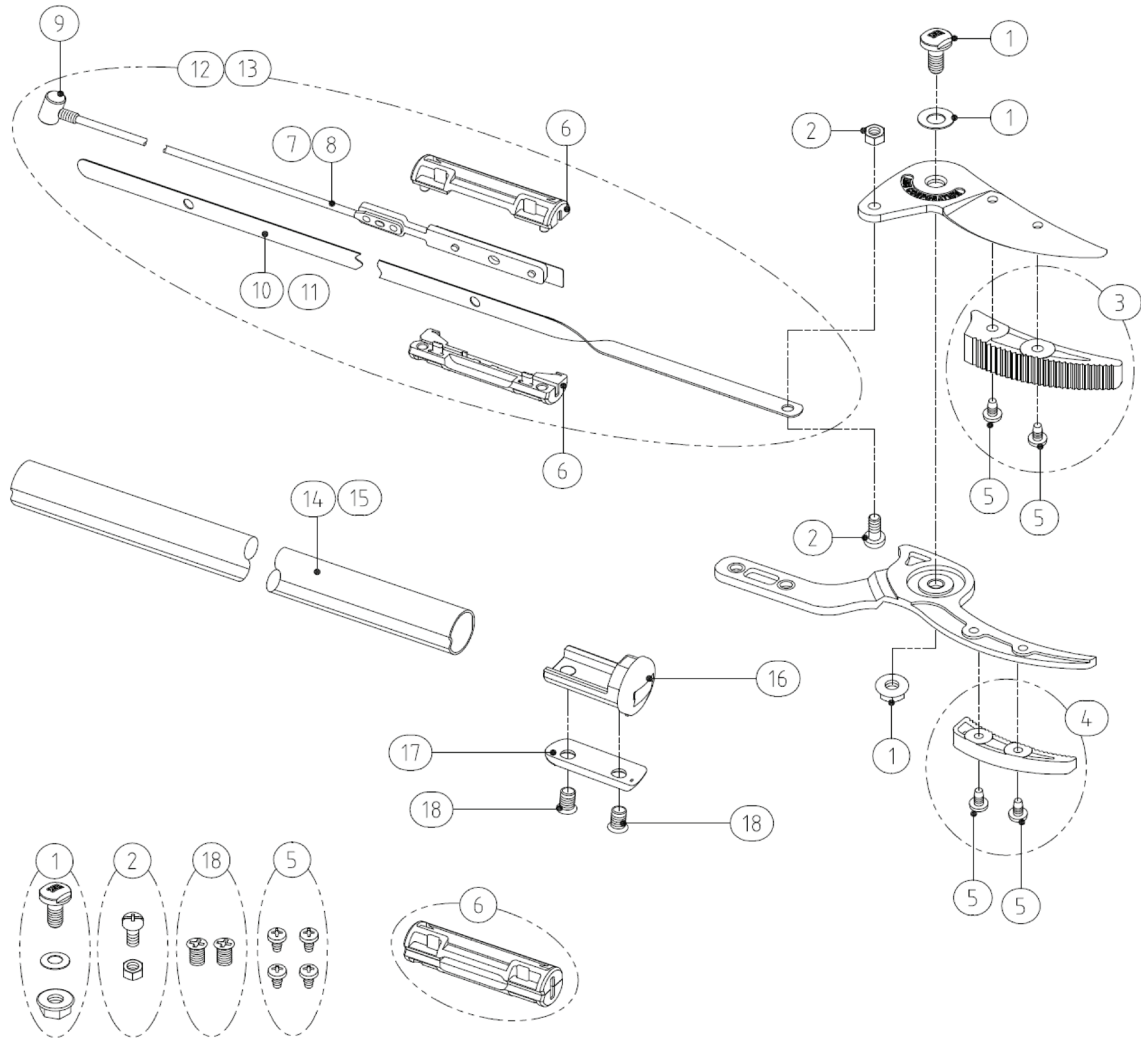




# ZF-Series ARS LongReach™ Pruners p 1 of 2



.....

## BLADE SETS:

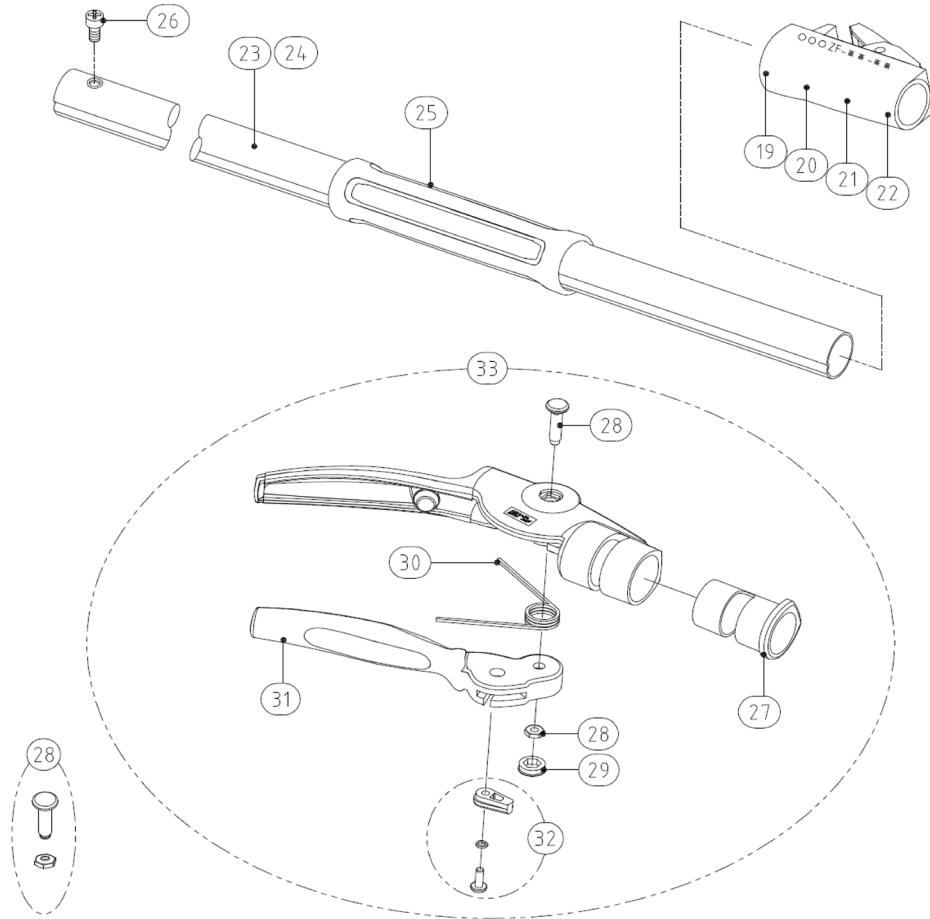
- SP-180ZR1** Replacement Razor Edge Blade Set
  - SP-160ZR1** Replacement Cut & Hold Blade Set
  - SP-190ZR1** Replacement Shearing Head (Super Trimmer) Blade Set
- .....

1. <b>SP-ZR334</b>	Pivot Bolt & Nut for Blade Set	12. <b>SP-ZF203</b>	Steel Band Set for ZF203 (includes everything in circled region)
2. <b>SP-LA44</b>	Screw Set connect blade to rod	13. <b>SP-ZF305</b>	Steel Band Set for ZF305 (includes everything in circled region)
3. <b>SP-ZR351</b>	Holding Device for 160 Cutting Blade (includes 2 screws)	14. <b>SP-ZF463</b>	Upper Pipe for ZF203
4. <b>SP-ZR352</b>	Holding Device for 160 Counter Blade (includes 2 screws)	15. <b>SP-ZF464</b>	Upper Pipe for ZF305
5. <b>SP-ZR353</b>	Screws for 160 Holding Devices (4 pcs)	16. <b>SP-ZF465</b>	ZF Blade Set Attachment Cap
6. <b>SP-ZR335</b>	Inner Case	17. <b>SP-ZF466</b>	Washer Plate for Blade Set Attachment
9. <b>SP-LA43</b>	End Cylinder	18. <b>SP-ZR399</b>	Screws for Blade Set Attachment Cap

*All highlighted items are available from inventory.  
All others are available by Special Order.*



# ZF-Series ARS LongReach™ Pruners -p 2 of 2



- 
- |              |                              |              |   |
|--------------|------------------------------|--------------|---|
| 10. SP-ZF467 | Joint case set for 160ZF203  | 31. SP-ZR349 | Handle Lever Only   |
| 20. SP-ZF468 | Joint case set for 160ZF305  | 32. SP-ZR380 | Handle latch lock set   |
| 21. SP-ZF469 | Joint case set for 180ZF203  | 33. SP-ZR348 | Handle Set (Includes everything inside of large circle above) |
| 22. SP-ZF470 | Joint case set for 180ZF305  |              |   |
| 23. SP-ZF471 | Lower Pipe Only, for ZF203   |              |   |
| 24. SP-ZF472 | Lower Pipe Only, for ZF305   |              |   |
| 25.          | Middle Grip                  |              |   |
| 26. SP-LA452 | Stop Screw for Handle        |              |   |
| 27. SP-ZR339 | Sleeve for Handle            |              |   |
| 28. SP-LA40  | Center Bolt & Nut for Handle |              |   |
| 29. SP-ZR414 | Nut Cap for Handle           |              |   |
| 30. SP-LA101 | Spring for Handle            |              |   |

*All highlighted items are available from inventory.  
All others are available by Special Order.*