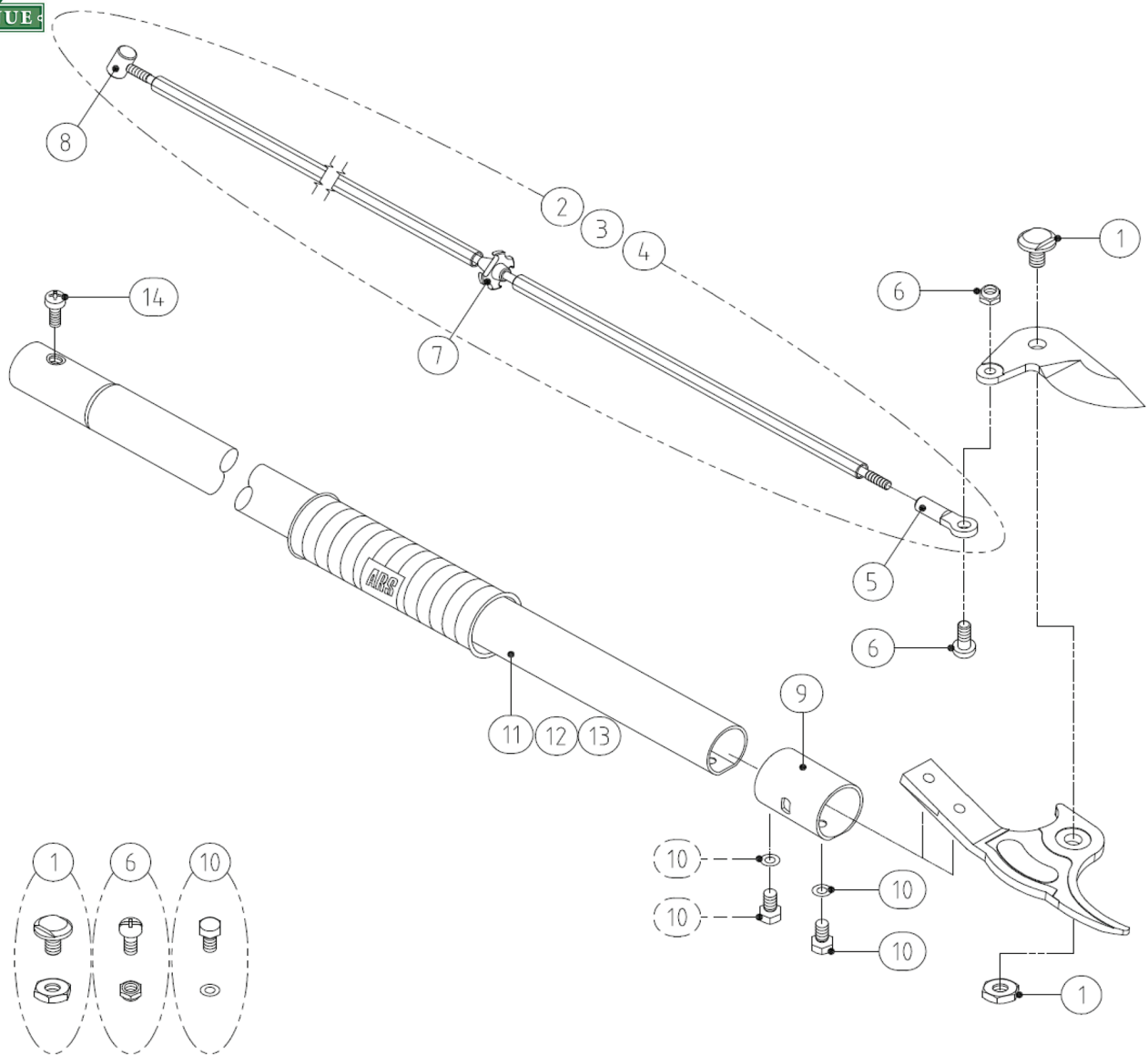




# LR-Series ARS LongReach™ Pruners - Page 1 of 2



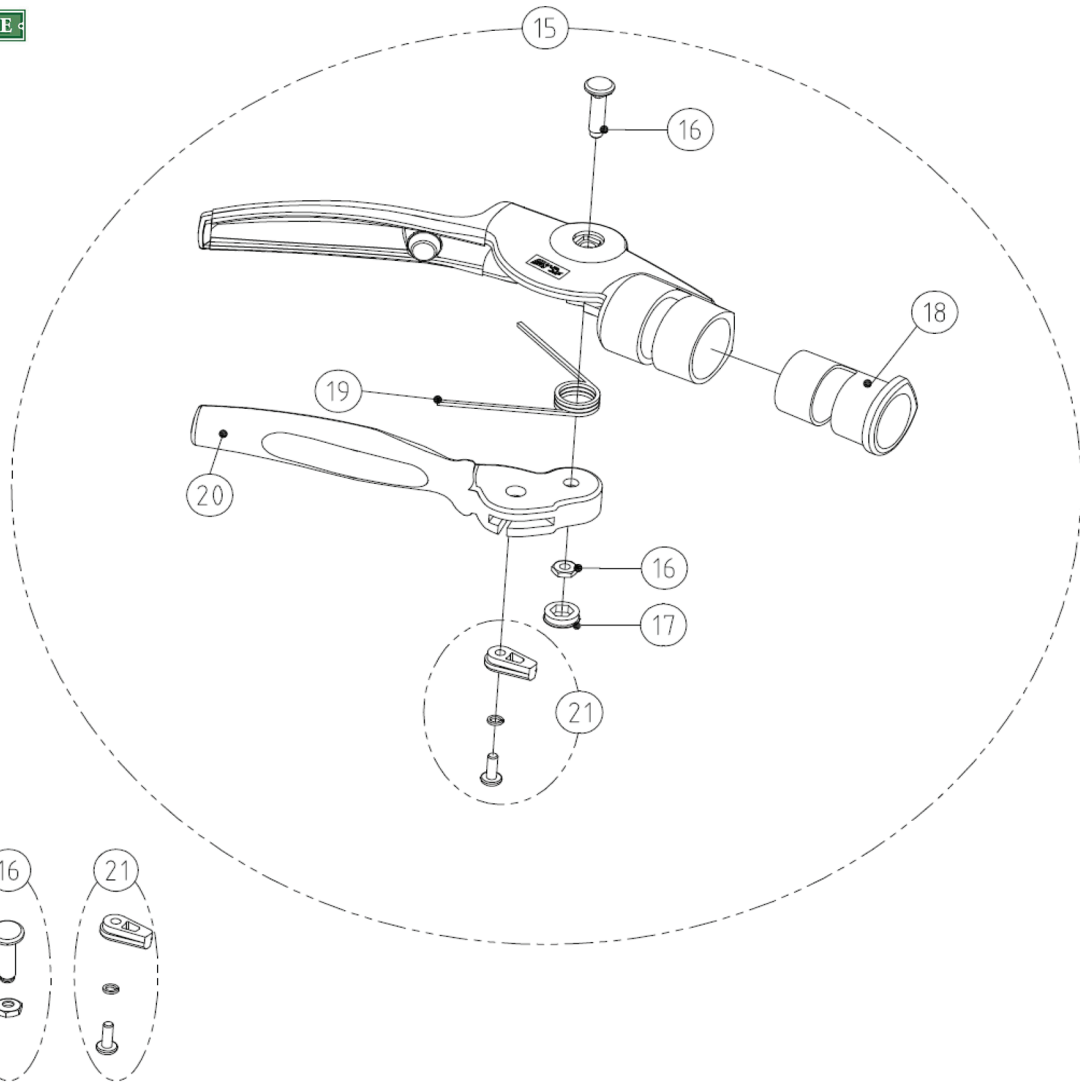
.....

## BLADE SETS:

**SP-180L1** Replacement Razor Edge Blade Set

.....

- |    |                 |  |     |                 |                       |
|----|-----------------|--|-----|-----------------|-----------------------|
| 1. | <b>SP-LA216</b> | Pivot Bolt for Blade Set   | 8.  | <b>SP-LA43</b>  | End cylinder for rod  |
| 2. | <b>SP-LA446</b> | Rod Set for LA-180LR12<br>(includes end cylinder, rod holding disc, and rod end cap) | 9.  | <b>SP-LA435</b> | Blade fixing collar   |
| 3. | <b>SP-LA447</b> | Rod Set for LA-180LR18<br>(includes end cylinder, rod holding disc, and rod end cap) | 11. | <b>SP-LA449</b> | Pipe for LA-180LR12   |
| 4. | <b>SP-LA448</b> | Rod Set for LA-180LR21<br>(includes end cylinder, rod holding disc, and rod end cap) | 12. | <b>SP-LA450</b> | Pipe for LA-180LR18   |
| 5. | <b>SP-LA264</b> | Rod End Cap  | 13. | <b>SP-LA451</b> | Pipe for LA-180LR21   |
| 6. | <b>SP-LA259</b> | Screw Set to Attach Blade to Rod   | 14. | <b>SP-LA452</b> | Stop Screw for Handle |
| 7. | <b>SP-LA235</b> | Rod Holding Disc<br>(included with Rod Sets)   | 17. | <b>SP-LA43</b>  | End Cylinder for Rod  |



- 
- 15. **SP-ZR348** Handle Set (Includes everything inside large circle above)
  - 16. **SP-LA40** Center bolt & nut for handle
  - 17. **SP-ZR414** Nut cap for handle
  - 18. **SP-ZR339** Sleeve for handle
  - 19. **SP-LA101** Spring for handle
  - 20. **SP-ZR349** Grip Lever Only
  - 21. **SP-ZR380** Handle latch lock set